

# Monster Solutions

**Project Name:** Steetley Dolomite Cement Works

**Contact Info**

**Site address:**

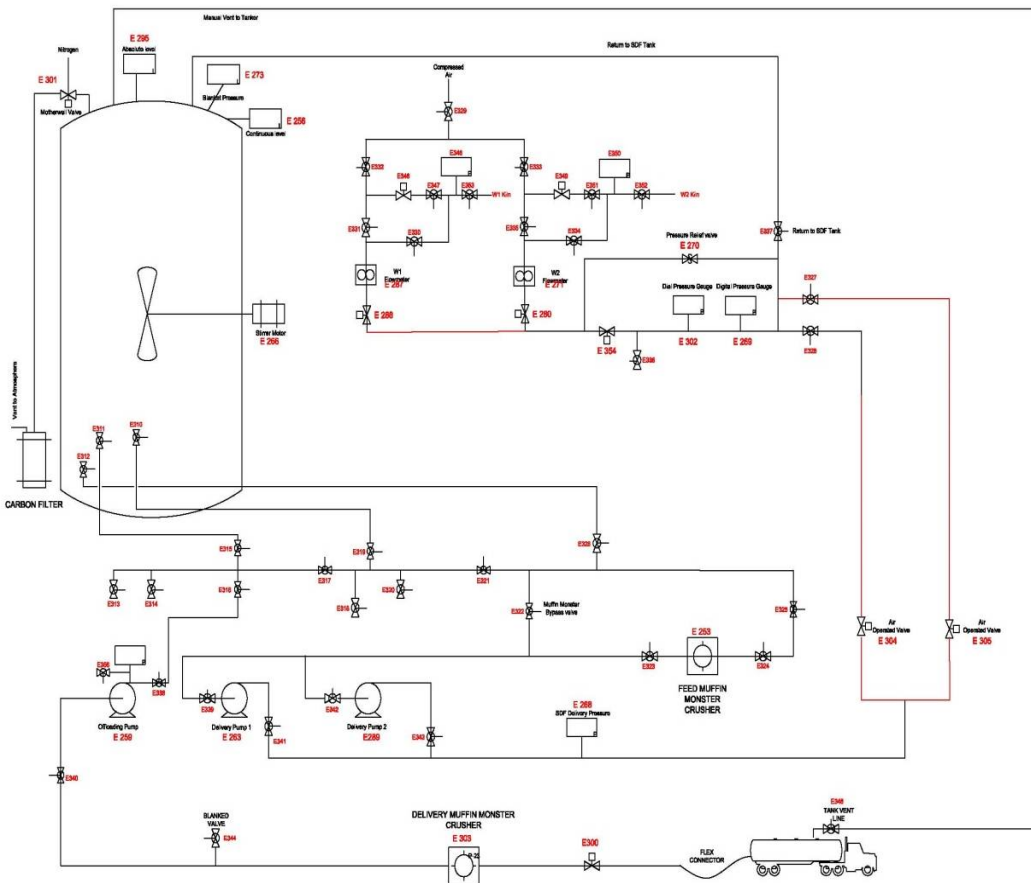
Southfield Lane  
Whitwell  
Worksop  
Notts  
S80 3LJ

**Name:** Jim Bowman  
**Position:** Plant Engineer  
**Based at:** Whitwell, Worksop S80 3LJ  
**Phone:** 01909 726107  
**E-mail:** [Jim.bowman@steetleydolomite.com](mailto:Jim.bowman@steetleydolomite.com)

**Project description:**

To grind solvent waste to an acceptable size before being injected into furnace .

**Details:** Two stage particle reduction using 2 30004T-B100-DI.



**Flow capacity:**  
UNKNOWN

**DS:**  
UNKNOWN

**Motor size & protection:**  
Grinder 4KW IP55  
ATEX RATED ZONE 1

**Unit Model Number:**  
30004T-B100-DI

**Serial Number:**  
100621

**Unique selling points:**

>Quick change cutter cartridge, adapts to existing pipeline applications with no modification. Unit certified ATEX Grp11 cat 2

**Benefits to customer:**

>Drastically reduce the cost to clean and maintain the injector nozzles in the furnace. Improved efficiency in delivering the solvents into the furnace.

Project Distributor / Rep / Engineer :

Name: Chris Spencer

Country: UK

**Application:** Solid reduction of raw solvents discharged from tanker.

**Product handled:** Solvent Waste



Unit 15, Daneside Business Park, River Dane Road  
Congleton, Cheshire CW12 1UN UK  
Tel: 1260 277047 Fax: 1260 277557

[www.jwci.co.uk](http://www.jwci.co.uk)

# Monster Solutions



THIS SIDE = INTERNAL / REP EYES ONLY!

**Project Name: Steetly Dolomite**

**Quote ID:** #05160UK

**What won the order:** As with most cement works all equipment has to be ATEX safety rated. All the current products JWCI sell have been certified by Baseefa to a safety rating: II 2GD T4-T3. This was crucial in winning this order as our equipment satisfied their safety requirements.

**Notes:** Cold call received by the office, we explained the benefits that using a JWCI muffin monster with the quick interchangeable cutter cartridge will reduce downtime when replacing the cartridge. JWCI can also offer various different types of mechanical seal materials to help with processing corrosive mediums

**Price:** £4,973.00  
**Competitor's Price:** £Not known

**Special features fitted:**

- > 3mm and 5.5mm 13 tooth cam cutters
- > Eexd explosion proof motors
- > Teflon mechanical seals
- > Viton gaskets on all wetted surfaces
- > Baseefa certification

**Delivery time:**  
28days

**Order date:**  
23<sup>rd</sup> December 2003

**Date of installation:**  
> UNKNOWN

**Installation contractor:**  
**Installation Problems:** >STEETLY'S OWN INSTALLATION  
>NONE MADE KNOWN

**Last visited:**  
**By whom?** >January 2008  
>Chris Spencer and Simon Elsmore.



Unit 15, Daneside Business Park, River Dane  
Road  
Congleton, Cheshire CW12 1UN UK  
Tel: 1260 277047 Fax: 1260 277557

THIS SIDE = INTERNAL / REP EYES ONLY!