

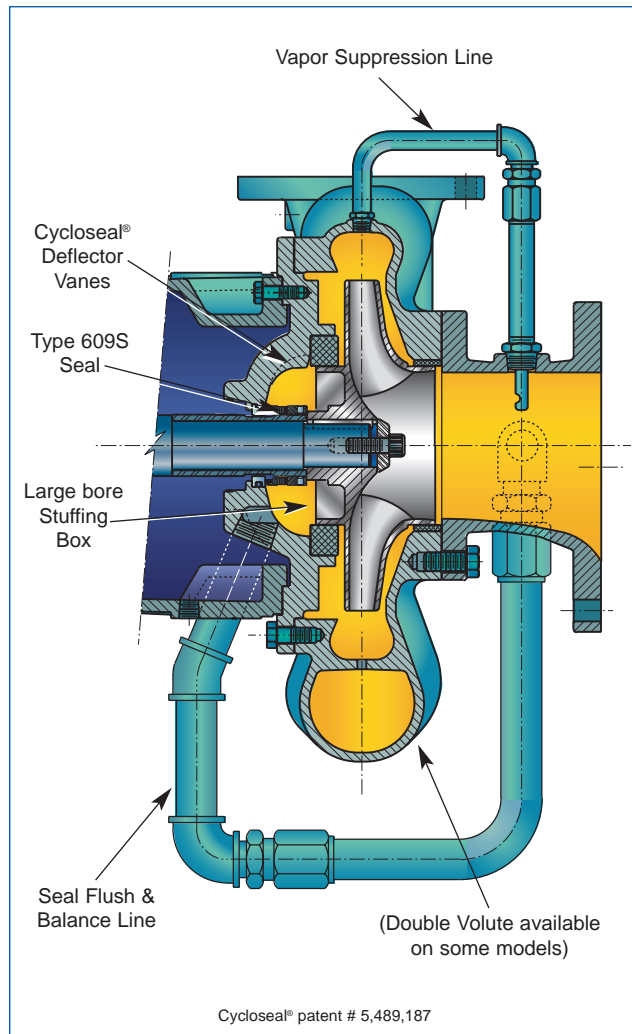


CORNELL PUMP COMPANY

Hot Oil Pumps with Cycloseal®

HOT CYCLOSEAL®

Cornell's patented Hot Cycloseal® design, with its unique deflector vanes, works with the impeller backvanes to create a Cyclo-action. This action removes solids and abrasive material from the seal area while purging air and gas pockets. The unique dished backplate design allows increased circulation of fluid and better heat distribution.



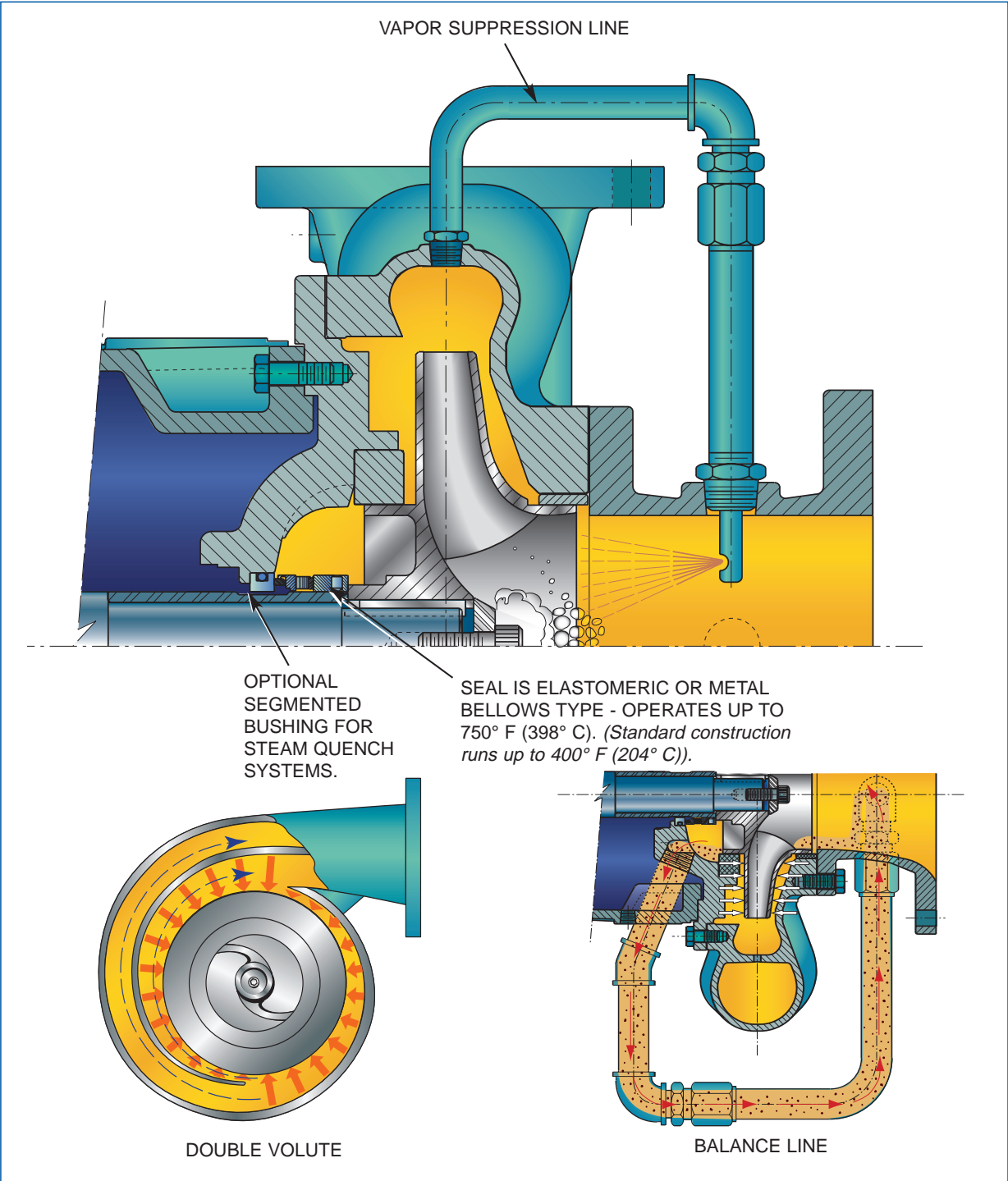
FEATURES & BENEFITS

- **Patented Cycloseal® design**
For extended seal life: removes debris and vapor from seal area.
- **Large Bore Stuffing Box**
Improved circulation in seal chamber.
- **Type 609 Metal Bellows Hot Oil Seal**
High Temperature Seal offers operating temperatures to 750° F (398° C). No steam quench required.

O-ring Seat Seal for operating temperatures to 400° F (204° C).
- **Seal Flush and Balance Line**
Continuously flushes debris from seal faces.

Draws debris away from seal faces rather than injecting a stream of hot oil at the seal faces.
- **Vapor Suppression Line**
Breaks up vapor bubbles in eye of impeller.
- **Double Volute (on some models)**
Reduced radial load, for lower shaft deflection. Increased seal life, and longer bearing life.
- **Available Material Options**
 - All Iron
 - Stainless Steel Impeller
 - All Stainless Steel Pump End

Hot Oil Pump Features



Cornell Pump Company

P.O. Box 6334 • Portland, Oregon 97228-6334

Web: www.cornellpump.com • Phone: (503) 653-0330 • Fax: (503) 653-0338

CERTIFIED TO **ISO 9001: 2000**